

PMA Submits Request For \$540-Million

Peat Methanol Associates (PMA) has submitted the major remaining permit applications and a complete environmental impact summary to state officials for its proposed \$540-million project in Northeastern North Carolina.

The project is expected to provide about 1,175 construction jobs and about 350 permanent jobs.

PMA environment plans address the concerns identified for the project by the N.C. Department of Natural Resources and Community Development (NRCD) and at area public hearings.

A PMA spokesman said that the project will not increase freshwater runoff or the natural background mercury levels found in the area because of controls planned into the project.

To control freshwater runoff from the 15,000 acre site, the environmental plan includes both a temporary lake and a permanent 1,440-acre lake. The site is to be reclaimed for agriculture and improved wildlife habitat following peat harvesting.

The lake will allow PMA to manage the amount, rate and timing of freshwater runoff

from the site. It also serve as a demonstration project to learn more about freshwater runoff management in Eastern North Carolina, a proposal recommended by the Governor's Coastal Water Management Task Force.

The task force was comprised of representatives from agriculture, forestry, fishing and wildlife interests. PMA permit applications

just submitted include the water quality and water use permits for peat harvesting, as well as the peat mining permit itself.

Applications submitted earlier to NRCD were for water use during construction, air and water permits for the peat-to-methanol facility, and air quality for peat harvesting.

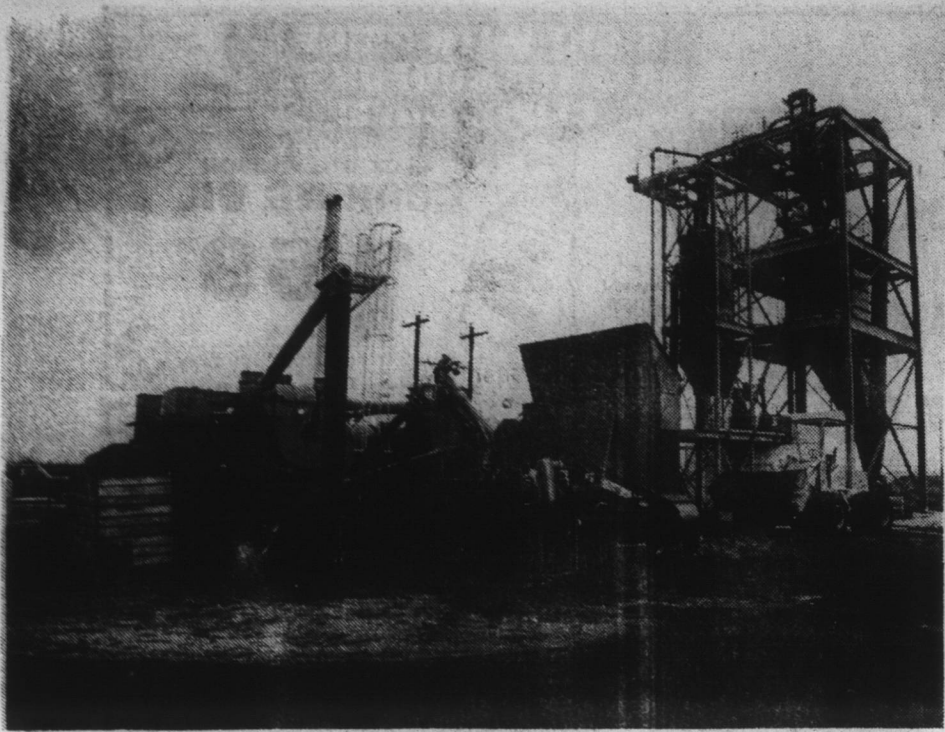
The environmental impact summary for the entire pro-

ject submitted by PMA includes its plans for permanent environment monitoring, freshwater runoff control, mercury level control, reclamation, Lake Phelps protection, solid waste, fire protection, socioeconomic impacts, cultural resources, and wildlife conservation.

The plan and applications meet the requirements for peat mining projects established by NRCD's Peat

Mining and Natural Resources report issued in January, 1983.

This report was developed by the State's Peat Mining Task Force, which included representatives from a broad range of state agencies, including Coastal Management, Natural Resources Planning and Assessment, Land Resources, Forest Resources, Parks and Recreation, and Marine Fisheries.



PEAT PREPARATION TESTING - This facility was used to test equipment designed to prepare raw peat feedstock for the Peat Methanol Associates plant which is to be completed in 1986. The peat feedstock is milled, or ground, pieces of wood are removed and the peat is dried to the desired moisture content. The wood, as well as peat, will be used as fuel to dry the milled peat that is to be converted into methanol.

Librarians To Tour State Facilities

Librarians and friends interested in libraries are planning a tour to Raleigh on Wednesday, June 22. All of the staff of the Pettigrew Regional Library, serving Washington, Tyrrell, Perquimans, and Chowan counties plan to visit libraries and museums in the state capital city.

The school librarians of the four counties also plan to take a tour. Also joining the group will be members of the Board of the Pettigrew Regional Library and school staff members.

The bus tour will include a visit to the new Museum of Art and to the Museum of History. There will be a tour of the State Library in the

Department of Cultural Resources and of the Education Information Center at the Department of Public Instruction.

The school librarians of the

Pembroke Creek Townhouses



Located on beautiful Pembroke Creek in Historic and progressive Edenton, N.C. These lovely Townhouses are built in colonial tradition and furnished with quality appliances. Each Townhouse overlooks Pembroke Creek with its own boat slip. For truly elegant retirement water side living you should visit this unique community. Excellent conventional and VA financing available.

Call T.B.H. Wood

919-482-3714

919-482-4959

Elizabeth G. Hall Realty
Pembroke Creek Townhouses
Old Fish Hatchery Road
Edenton, N.C. 27832

FOR SALE State Rd 1204 By Owner



Brick Veneer Great Room
Wall to Wall Carpet 2 Baths
Heat Pump 3 Bedrooms
Central Air Built 1979
Fireplace Large Lot
Call 482-8769

Museum Schedules Swimwear Exhibition

The Museum of the Albemarle, U.S. 17 South, announces the opening of its newest exhibit, "By the Sea: Swimwear Then 'Til Now" on June 18. The exhibition will feature over 30 examples of men and women's bathing attire from the turn of the century to present.

The suits, on loan from the collections of the North Carolina Museum of History, The Mint Museum of History in Charlotte and private collections, will highlight the changes of the fashion - from the "then" bloomers and bathing shoes to the "now" bikinis!

Of particular interest will be two suits on loan from

Catalina's collection, dating to the turn of the century. (These will be on display for the first week only). Also featured is the swimsuit worn by Beverly White Schlueter, Miss Elizabeth City, in which she won the swimsuit competition of the Miss North Carolina Pageant in 1966. Additionally, a suit worn by L.D. Waldorf, former resident of Elizabeth City and member of the James Adam's Floating Theatre Band, will be on display along with a photograph of the band members attired in swimwear ready to give their "concerts on the pier".

Albemarle cordially invites the public to spend the lazy days of summer looking at the bathing and swimming fashions of yesteryear. Photo murals of bathers at Nags Head will complete the ex-

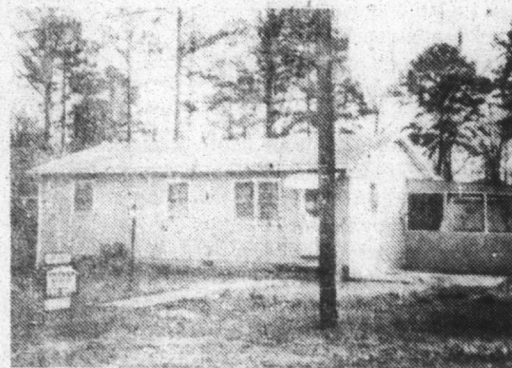
hibit which will be on display through August 28. The Museum of the Albemarle is FREE and open to the public, Tuesday through Saturday, 9 A.M. to 5 P.M. and Sunday from 2 P.M. to 5 P.M.

FOR SALE!

BY CHOWAN REALTY CO.

211 S. BROAD ST.

CALL: ALTON ELMORE 482-8418



At Chowan Beach
On Okisco Trail

100' x 120' lot, 3 bedrooms, bath and kitchen/family room combination, plus screened-in side porch, oil-fired wall furnace, on County water system, includes refrigerator, range washer & window air-conditioning!

\$28,000

BRING NEW LIFE TO YOUR CARPET

Revive the original beauty of your carpet. Cleaned in your own home by Von Schrader dry-foam method. No muss. No fuss. No odor. Use the same day.

All work guaranteed. Phone for estimate today.

Matthew Carpet Cleaning
356-2343 482-2610
Colerain Edenton

SEWING MACHINE REPAIR

Take Your Machine To

JAY'S CLOTHING

1111 N. Oakum St.

Edenton

482-3700

Guy Toppin,

past owner of

Clip-N-Stitch

Belk Tyler
downtown edenton

father's day sale

YOUR CHOICE

14.88

Regular 19.00 to 22.50

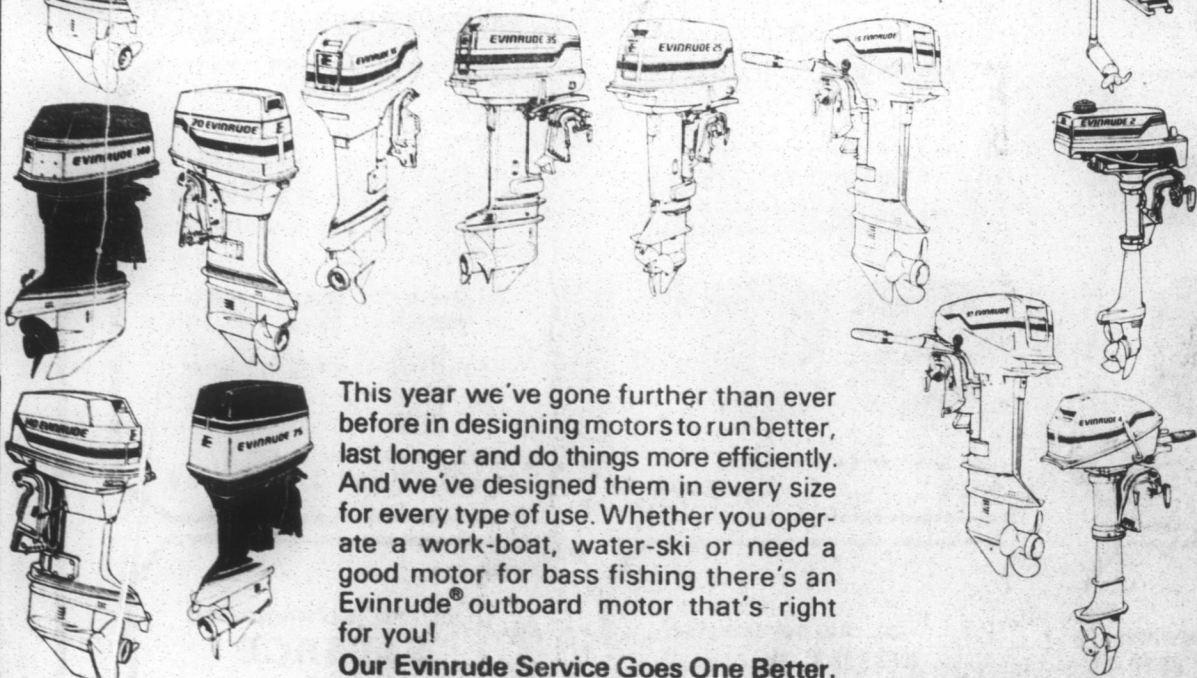


**Give Dad a Shirt and Save Up to \$7!
Choose from Hundreds of New Arrivals!**

Here's Evinrude's Line-Up Of Outboard Motors

From Evinrude's Power 200V-6 to the Mini-Motor Evinrude 2

There's one to match your specific needs.



This year we've gone further than ever before in designing motors to run better, last longer and do things more efficiently. And we've designed them in every size for every type of use. Whether you operate a work-boat, water-ski or need a good motor for bass fishing there's an Evinrude® outboard motor that's right for you!

Our Evinrude Service Goes One Better.

We service what we sell - from top quality boats to accessories to motors - with expert workmanship by qualified factory-trained mechanics.



VISIT THE HOME OF THE ★GM★ GIANT



HOKE MOTOR CORP.
EDENTON 482-8421
N. Broad St. Ext.