

# Dates To Remember During Black History Month

## FEBRUARY (Black History Month)

### 1984

SUNDAY	MONDAY	TUESDAY	WEDNESDAY	THURSDAY	FRIDAY	SATURDAY
	<b>TO BECOME SOMEBODY</b> I must develop my talents, then share my gifts with others.  Eubie Blake shared his gift of music, his joy of life into his 100th year.		1	2	3	4
5	6	7	8	9	10	11
St. Agatha	Bob Marley b. 1945 Rev. J.P. Campbell A.M.E. born 1815	Eubie Blake Baltimore pianist b. 1883	Langston Hughes author b. 1902	Presentation of Our Lord Groundhog Day	St. Blaise Blessing of throats	Free U.S. Blacks settle in Liberia 1822
12	13	14	15	16	17	18
Lincoln's Birthday NAACP founded 1909	Absalom Jones Leader of America's first Negro Church b. 1746	St. Valentine's Day Bishop Richard Allen A.M.E. founder b. 1760	Joseph C. Price established Livingstone College in North Carolina 1882	St. Cyril of Alexandria	Leontyne Price Opera singer b. Miss. 1927	Our Lady of Lourdes
19	20	21	22	23	24	25
American Black Catholic Tribune Newspaper founded Cincinnati 1866	Washington's Birthday Observed Frederick Douglass spokesman, writer, freedom fighter d. 1895	Nina Simone b. 1935 St. Peter Damian	Nat "KING" Cole singer and jazz pianist d. 1965	Frederick Douglass elected President of Freedmen's Bank and Trust Co. 1874	Bessie Smith made first recording for Columbia Records 1933	Quakers filed first formal protest against slavery 1688
26	27	28	29			
Joshua Johnson portrait painter b. in Baltimore 1770.	Charlotte Ray first Black Women Lawyer graduated Howard U. Law School 1872	Martyrs of Alexandria	Washington's Birthday Chair of St. Peter Apostle	W.E.B. Dubois author and historian b. 1868	Rev. Daniel A. Payne first Black to become a college Pres. 1811	Hiram Revels elected first Negro in U.S. Senate 1870

### \$50 POETRY CONTEST SALUTE TO BLACK HISTORY

- 1.) Students Must Be In Grades K-6
- 2.) All Entries Must Be Neatly Written
- 3.) All Entries must Be 100 Words Or Less
- 4.) All Entries Must Be Completed And RECEIVED in the Winston-Salem Chronicle Office, 516 N. TRADE ST., WINSTON-SALEM, N.C. 27102 by 5:00 P.M., FEBRUARY 24, 1984.
- 5.) ENTRIES RECEIVED AFTER FEBRUARY 24, 1984 WILL NOT BE ELIGIBLE FOR PRIZES.
- 6.) A GRAND PRIZE OF \$25 for the WINNING ENTRY \$15 2nd PRIZE AND A \$10 3rd PRIZE will be AWARDED ON MONDAY, MARCH 12, 1984 to the WINNING CONTESTANTS.
- 7.) WINNERS WILL BE DETERMINED by the WINSTON-SALEM CHRONICLE Staff.
- 8.) WINNING ENTRIES will be published in the MARCH 15th, EDITION of the WINSTON-SALEM CHRONICLE.
- 9.) ALL ENTRIES RECEIVED will remain property of the WINSTON-SALEM CHRONICLE AND will NOT be RETURNED

MAIL ENTRIES TO:  
POETRY CONTEST  
WINSTON-SALEM CHRONICLE  
P.O. BOX 3154  
WINSTON-SALEM, N.C. 27102

### \$50 ESSAY CONTEST WHAT BLACK HISTORY MEANS TO ME

- 1.) STUDENTS MUST BE IN GRADES 7-12
- 2.) ALL ENTRIES MUST BE NEATLY WRITTEN OR TYPED
- 3.) ALL ENTRIES MUST BE 200 WORDS OR LESS
- 4.) ALL ENTRIES MUST BE COMPLETED AND RECEIVED IN WINSTON-SALEM CHRONICLE OFFICE, 516 N. TRADE ST., WINSTON-SALEM, N.C. 27102 by 5:00 P.M., FEBRUARY 24, 1984.
- 5.) ENTRIES RECEIVED AFTER FEBRUARY 24, 1984 WILL NOT BE ELIGIBLE FOR PRIZES.
- 6.) A GRAND PRIZE OF \$25 for the WINNING ENTRY, \$15 2nd PRIZE AND \$10 3rd PRIZE WILL BE AWARDED ON MONDAY, MARCH 12, 1984 to the WINNING CONTESTANTS.
- 7.) WINNERS WILL BE DETERMINED by the WINSTON-SALEM CHRONICLE Staff.
- 8.) WINNING ENTRIES Will be published in the MARCH 15th, EDITION of the WINSTON-SALEM CHRONICLE.
- 9.) ALL ENTRIES RECEIVED will remain property of the WINSTON-SALEM CHRONICLE AND Will NOT be RETURNED

MAIL ENTRIES TO:  
ESSAY CONTEST  
WINSTON-SALEM CHRONICLE  
P.O. BOX 3154  
WINSTON-SALEM, N.C. 27102

### BLACK HISTORY QUIZ WHO AM I?

1. My only book Poems on Various Subjects, Religious and Moral was published in London in 1773. It was the first volume of poems written by a freed American slave.
2. I was the first Black American to win a world boxing championship. Sportswriters affectionately called me "Little Chocolate."
3. I was the first Black American since 1881 to be elected as a United States Senator.

4. In 1968 I was asked to run for the office of Vice President of the United States. Unfortunately I was too young.
5. In 1972, I became the first Black woman to try to become President of the United States.
6. In 1975, I won the world championship of tennis. I also won the men's championship in the important Wimbledon tournament in England.
7. In 1958, I started my own dance center and school in New York City. I have choreographed many famous works. My dance entitled "Cry" is a tribute to my mother.

8. In 1946, President Harry Truman chose me to be a diplomat in the United Nations. In 1950, I won the Nobel Peace prize.
9. I own the largest black cosmetics business in the United States. my company, located in Chicago, produces Ultra Sheen hair products.
10. In 1966 I was elected to the Texas state senate. I was the first Black woman to achieve such an honor.

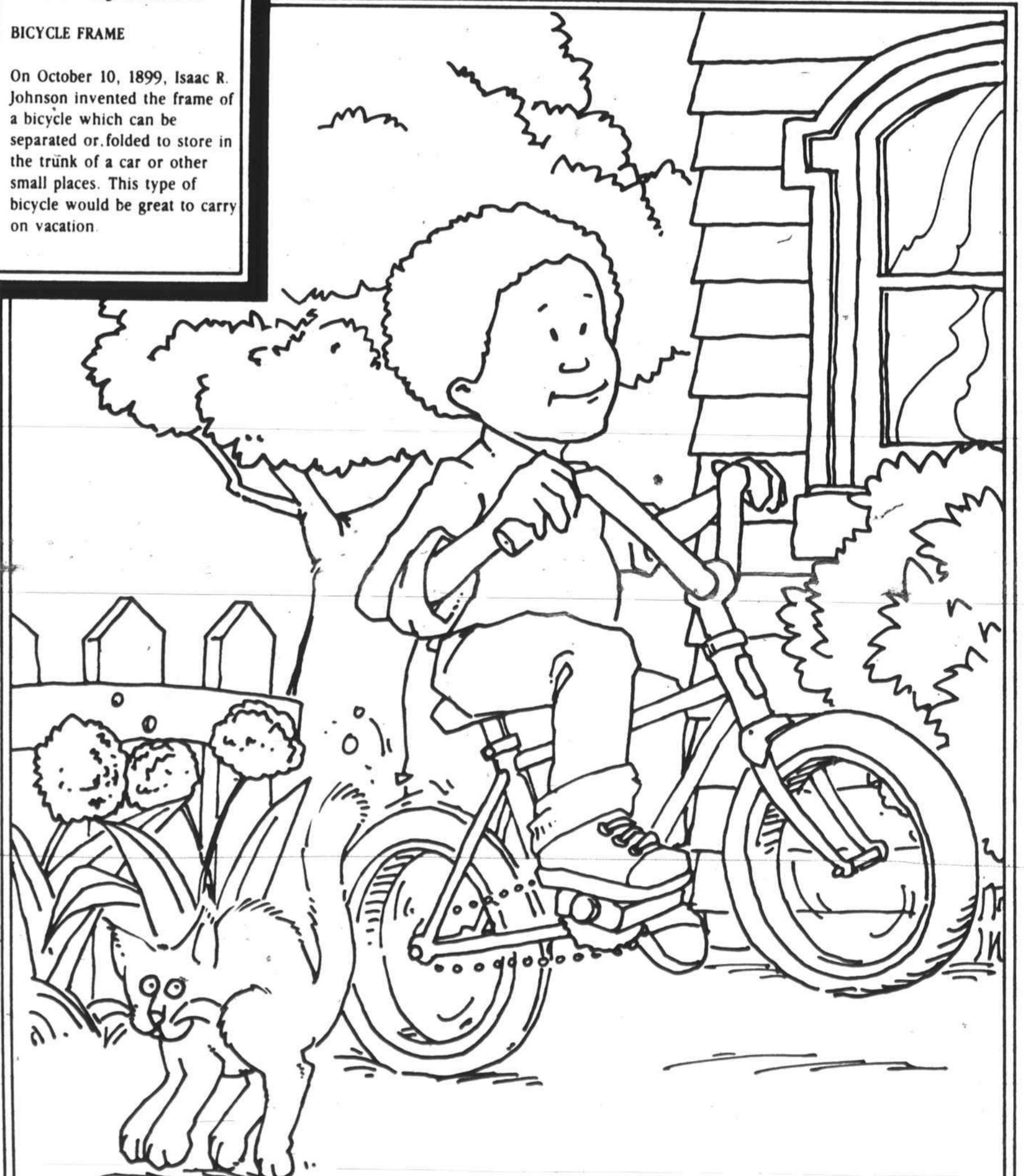
ANSWERS IN NEXT WEEK'S EDITION

### Isaac R. Johnson

#### BICYCLE FRAME

On October 10, 1899, Isaac R. Johnson invented the frame of a bicycle which can be separated or folded to store in the trunk of a car or other small places. This type of bicycle would be great to carry on vacation.

FROM BLACK ACHIEVERS COLORING BOOK



No. 634,823.

I. R. JOHNSON.  
BICYCLE FRAME.

Patented Oct. 10, 1899.

(No Model.)

(Application May 4, 1899.)

2 Sheets--Sheet 1.

Fig. 1.

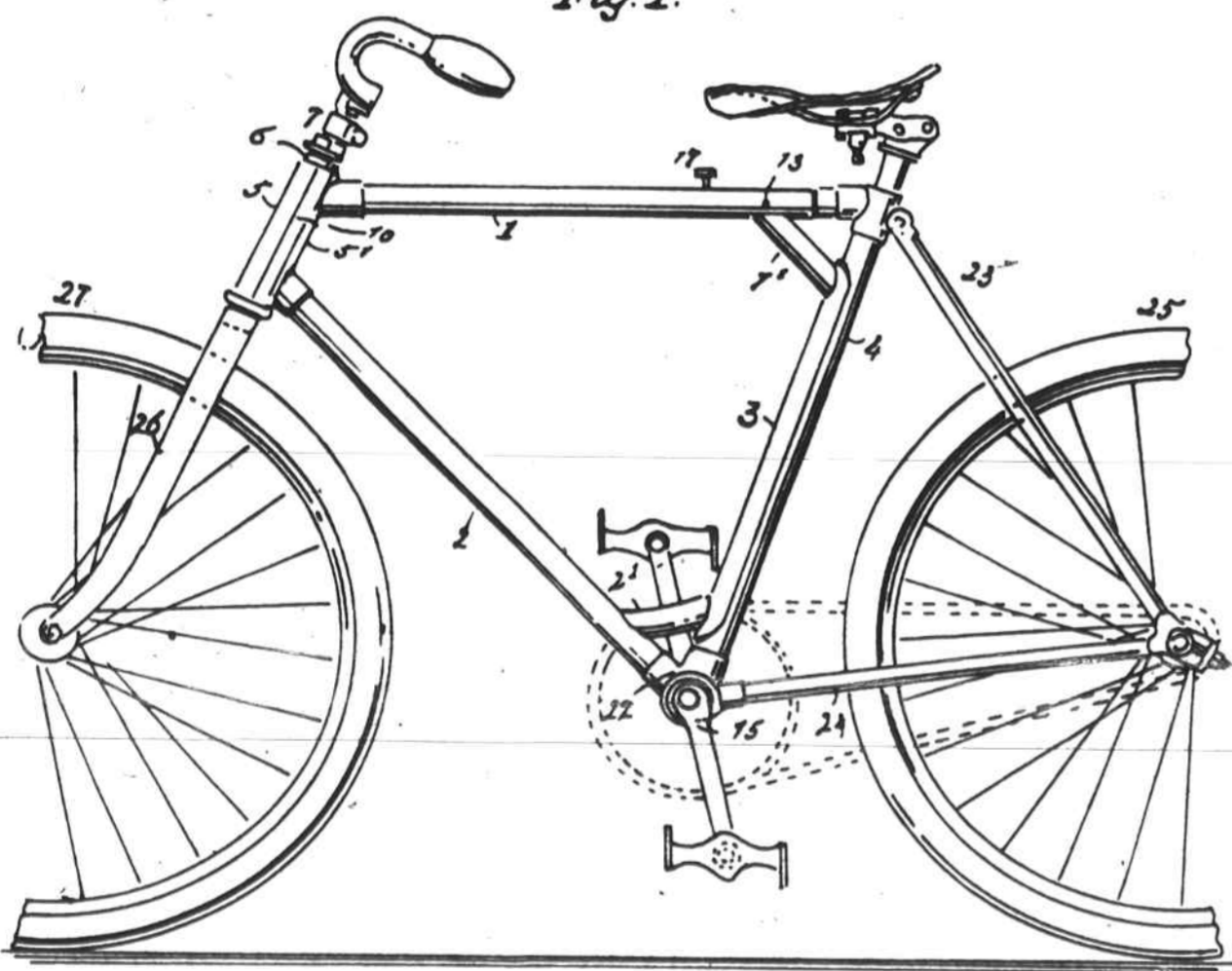
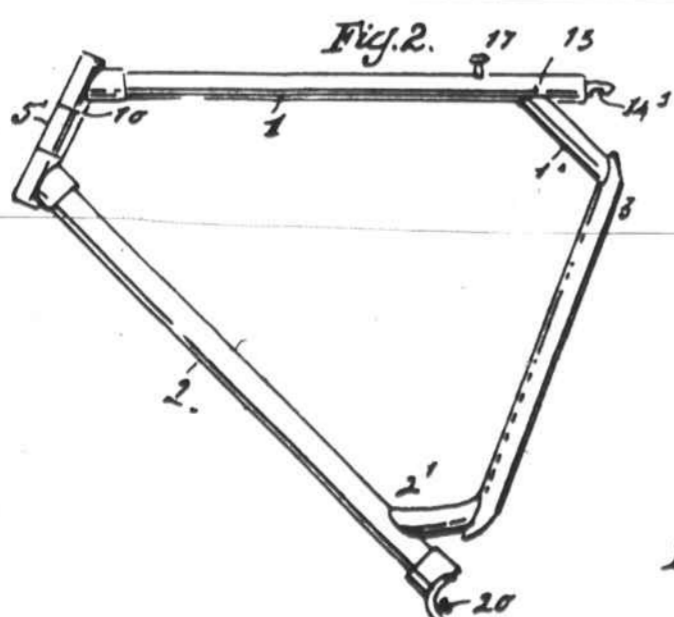


Fig. 2.



WITNESSES:

E. Hoff.  
Charles E. Berger

INVENTOR

Isaac R. Johnson.

BY Hoff & Hoff  
ATTORNEYS