

Girls journey to State tourney

Last Thursday morning at 4 a.m., 41 Perquimans County Youth and parents left for the N.C. Girls' Softball State Championship being held in Asheville. Two teams sponsored by the Perquimans Recreation and Parks Department participated in the tournament. Coaches of the teams accompanying the girls were Mrs. Joan Chappell, Mrs. Grace Eure, Miss Phyllis Gregory, Miss Beth Swindell, Miss Dee Hurdle, and Miss Corinne Underwood.

Friends and parents who attended the games were Mr. and Mrs. George Roach and son, Thomas, Mr. and Mrs. George White, Mr. and Mrs. Wayne Perry and son, Burke, Mr. and Mrs. Lionel Byrum and son, Kenny, Tony Jordan and Billy Wooten.

The coaches were hosted by the East Asheville Girls' Softball Association and the girls stayed in homes in the communities of Oakley and East Asheville. There were 16 teams in the tournament, 8 in each age division.

The girls on the teams were:

AGES 10-12
Denise Banks, Denise Byrum, Lisa Copeland, Amy Eure, Cindy Eure, Sherri Lane, Jerreal Perry, Christy Pierce, Debbie Riddick, Monica Roach, Connie Sawyer, Jill Sims, Mary Margaret White, Perry Wilson and Tomissa Winslow.

AGES 13-15
Lisa Boyce, Arlene Cartwright, Sheila Carver, Kim Dail, Donna Elliott, Lynn Elliott, Sarah Goodwin, Tammy Lane, Brenda Pierce, Denise Pirece, Sheila Rountree, Karen Thompson and Laure White.

The Recreation Department would like to thank the coaches who volunteered their time and help all summer for the girls' softball teams. Without them, the season and trip would not have been possible.

The Department would also like to thank the following people for helping us with expenses for our trip: Bank of N.C., Mr. and Mrs. Flutch Dail, Dennis Hare (One Stop), People's Bank, Mr. and Mrs. Wayne Perry, Billy Pierce, Mr. and Mrs. George White and Charles Woodard (Woodard's Pharmacy).

Recreation Happenings

By BILLY WOOTEN



I've had alot of people question me concerning the football program for boys 9-12 years of age. I will give some answers to the most asked question.

This will be a tackle league. There will be a four team league, with two teams from Perquimans County, and two from Chowan County.

The Bank of North Carolina is sponsoring one of the teams.

There will be a minimum weight limit of 65-70 pounds to be eligible to play. We are undecided concerning a maximum limit.

There will be cheerleaders for the two teams.

I will answer more question next week.

The girls softball trip to Asheville was very successful. Thanks go out to all who contributed.

The Adult Softball tournament will be going on all next week at the Union School. Maybe your plans to attend the tournament.

See you next week.

Group of 46 to view major league baseball

Forty-six Perquimans County Baseball fans will depart for Baltimore for two major league baseball games between the Orioles and the New York Yankees.

The trip is being organized by the Perquimans Recreation and Parks Department, and Billy Wooten, Recreation Director, will serve as guide.

Those planning to attend are: Billy Wooten, Skipper Hines, Jim Underwood, Dana Dail, Emmett Winslow, Gill Underwood, Johnny Winslow, John Winslow, Charlie White, Alvin Copeland, Kent Chappell, Cliff Haskett, Doug Chappell, Richard Thach, Tim White, George White, Danald Forehand, Michael Winslow, Howard Eves, Joel Wilson, Tony

Jordan, Eugene Rountree, Bryant Woodell, Phil Woodell, Gary Hunter, William Harrell, Joey Meads, Kenny Byrum, Bill Hall, Bobby Winslow, Joe Meads, Billy Harrell, Tony Meads, Chris Perry, Wade Stanton, Wayne Chappell, Dwayne Proctor, Lloyd Evans, Mark Winslow, Gary Winslow and Allen Winslow.

Show results released by local club

The Perquimans County Horse & Pony Club releases the following results of the horse show it sponsored on Aug. 5:

Halter — 3 yrs. & over

1. Cutter's Tamo, Thomas Allen; 2. Hoedown Dio, Beverly Huffman; 3. Skipper Sox, Earl Jackson.

Halter — 2 yrs. & under

1. Cutter's Hoedown, Ray Huffman; 2. Misty Dawn, Denise Harrell; 3. Cola Boy, Dianna Spruill.

Showmanship at Halter

1. Brandy, Kay Dixon; 2. Misty Dawn, Denise Harrell; 3. Cola Boy, Diana Spruill.

Novice Go As You Please

1. My Spirit, Deloris Jordan; 2. Leo's Lady #41, Gary Pritchett; 3. Everett, Jeffery White.

Open Balloon Race

1. Mr. Bootlegger, Manfred Hood; 2. Coin Flip, Maurice Fleming; 3. Rifle, Ralph Coley.

Trail Class

1. Briarfield Pixy, Donna Stallings; 2. Dial Hollywood, Talmadge Winslow; 3. Jasper to Beat, Johnnie Smith.

Open Barrel Race

1. Johnnie Rib, David Brown; 2. Flash, Kay Fleming; 3. Jack Wagon Lauro, Chris Johnson.

Open Go As You Please

1. Dan's Bar Gold, Kim Pope; 2. Brandy Jo Fire, Kay Dixon; 3. nMaily, Hope Harrell.

Open Barrel Race

1. Johnnie Rib, David Brown; 2. Gleemer, Marsha Fleming; 3. Flash, Kay Fleming.

Open Ladies Pleasure

1. Briarfield Pixy, Donna Stallings; 2. Maily, Hope Harrell; 3. Misty Dawn, Denise Harrell.

Open Ring Sparring

1. Poco Sunday, Shortie Layden; 2. Babe C C Cash, John McCleenny; 3. Flax, Julius Wright.

Youth Western Pleasure

1. Maily, Hope Harrell; 2. Briarfield Pixy, Donna Stallings; 3. My Spirit, Deloris Jordan.

Open Pole Bending

1. Ike, Charles White; 2. Sun, Ronnie Byrd; 3. Jackwagon Lauro, Chris Johnson.

Open Ring Sparring

1. Mr. Bootlegger, Manfred Hood; 2. Rifle, Ralph Coley; 3. Coco, Glen Coltrain.

Western Horsemanship

1. Dan's Bar Gold, Kim Pope; 2. Leo's Lady #41, Nancy Keaton; 3. Maily, Hope Harrell.

Potato Race

1. Slane, Bob Vance; 2.

Season ends for girls' softball

The Girls' Softball regular season has ended its first year of play. In the 9-12 year old league, Hertford Red (coached by Joan Chappell, Grace Eure, and Marta Colson) won first place with a record of 7-3. The first place trophies were presented to Hertford Red along with certificates for Hertford Green and Blue on Aug. 8 at a picnic held for all the girls at the recreation park.

The regular season records were as follows: In the 9-12 group: Hertford Red — 7-3; Hertford Green — 2-8; Edenton 1 — 6-4. In the 13-15 group: Hertford Blue — 3-6; Edenton 2 — 6-3.

After the regular season, an all-star team was picked from each of the groups by Beth Swindell, Director of Girls Activities.

On July 28 the 9-12 year old All-Stars went to Belhaven with Edenton's team to play ball. In the first game, Belhaven beat Edenton 12-10, but Hertford won the second game 12-1.

The recreation Department would like to thank Mrs. George Roach and Mr. and Mrs. Daniel Ray Eure for providing the transportation for the girls.



BOATING SAFETY PROGRAM HELD — Perquimans County Jaycee members Edward Byrum (left) and Chuck Phelps are shown above as they supervised the recent Boating Safety Program sponsored by the local Jaycee chapter. Representing the U.S. Coast Guard as boat inspectors were Bill Taylor and Marty Silverwood. During the day, 21 boats were inspected and seven received seals of safety.

Legals

NOTICE OF ADMINISTRATION
Having qualified as Co-Executors of the estate of John O. Chappell, deceased, late of Perquimans County, North Carolina, this is to notify all persons having claims against the estate of said deceased to exhibit them to the undersigned at 131 W. Market St., Hertford, N.C. on or before the 9th day of February 1979 or this notice will be pleaded in bar of their recovery. All persons indebted to said estate will please make immediate payment.
This 21st day of July 1978.
Hubert A. Chappell
David L. Chappell
Co-Executors of John O. Chappell
Aug. 10, 17, 24-78

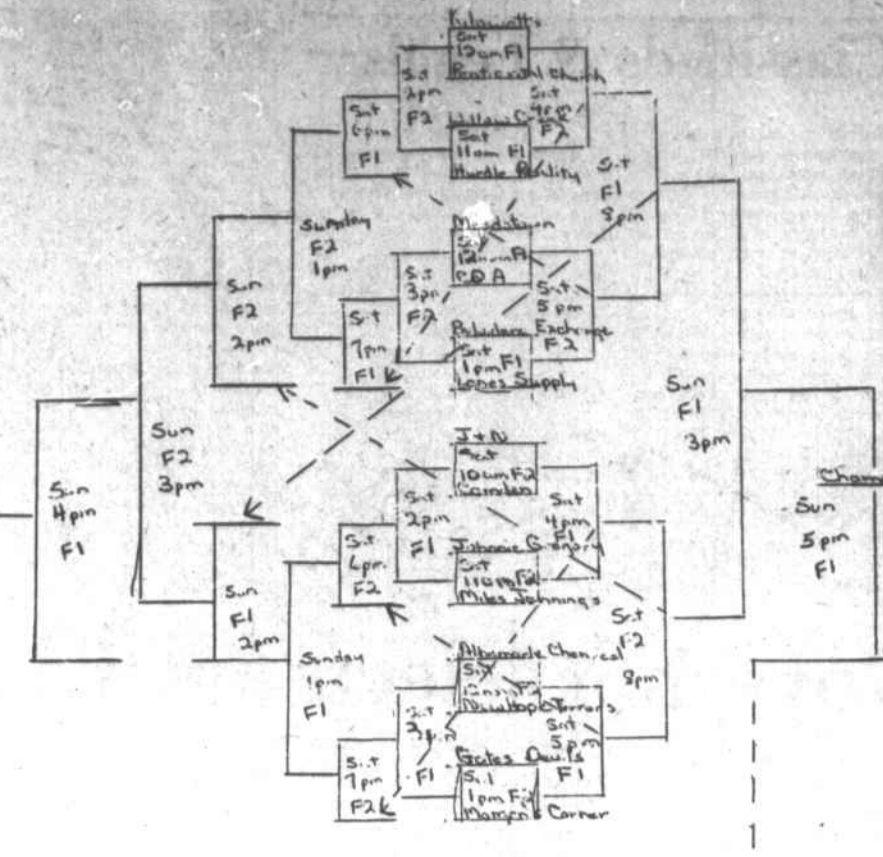
estate of Cornelia Nixon Jessup, deceased, late of Perquimans County, North Carolina, this is to notify all persons having claims against the estate of said deceased to exhibit them to the undersigned at 131 W. Market St., Hertford, N.C. on or before the 9th day of February 1979 or this notice will be pleaded in bar of their recovery. All persons indebted to said estate will please make immediate payment.
This 31st day of July 1978.
W.L. Jessup
Executor of Cornelia Nixon Jessup, Dec'd
Aug. 3, 10, 17, 24-78

William F. Ainsley
Realtor
Hertford, N.C.
Dial 426-7659

Nathan Hurdle
Now 3 bedroom brick home in Hertford, 1 1/2 bath, single car garage. Buy now pick your own interior paint and carpet.

MATTHEWS BETTER DEALS

77 FORD LTD II 2 Dr., Full Power
75 BELAIR, 4-Dr., Wagon, AC, PS, PB.
74 LEMANS 2-Dr., AC, PS, PB.
74 MONTE CARLO, 4-Dr., Full Power.
72 TORINO, 2-Dr., HT, Auto., PS.
72 CHEV. BELAIR, 4-Dr., Auto., PS.
71 LTD-FORD, 4-Dr., HT.
69 FORD, 4-Dr., Auto., PS, AC.
"Can Be Bought Below NADA Book"
GLENN MATTHEWS 426-7145



AUG. 12-13 TOURNAMENT OUTLINE

Tournament plans final

The Perquimans County Jaycees have finalized plans for the double elimination men's softball tournament they will be sponsoring locally Aug. 12-13.

Sixteen teams will be participating with seven of those being from Perquimans County.

Play begins Saturday, Aug. 12 at 10 a.m. and continues through Sunday. Chairman Billy Stallings explained that the tournament champion should be known by about 5 p.m. Sunday and the trophy presentations will be made at the Perquimans Union School field (F1). The Perquimans High School field (F2) will also be used in the tournament.

Trophies will be awarded to the top three

teams in the tournament with the championship team also receiving trophies for individual players.

The 10 a.m. game on Saturday will see the Kilowatts vs. Pentecostal Church on F1 and J&N Supply vs. Camden on F2. The 11 a.m. game pits Willow Creek against Hurdle Realty on F1 and Johnnie Gregory against Miles Jennings on F2. The noon game will be Meadstown vs. COA on F1 and Albemarle Chemical vs. New Hope Terrors on F2. The 1 p.m. game will bring Belvidere Farmer's Exchange against Lane's Farm Supply on F1 and Gates Blue Devils against Morgan's Corner on F2. From there, play will be determined by winners and losers.

The first four seeds in the tournament are: Kilowatts, Morgan's Corner, J&N Supply, and Lane's Farm Supply.

TOURING FRANCE

The following have departed for an eight-day tour of Paris, France: Mr. and Mrs. George N. Reid, Mrs. Lona G. Wilson, Miss Addie Hoffer and Mrs. Mary Elliott James, of Hertford; Mrs. Sarah Coston, Mrs. Shirley Gat-

ling, Miss Chawanda Sims, and Mr. and Mrs. Paul D. Seymour, all of Gates County; and Mr. and Mrs. Calvin Rowson of Norfolk, Va. Also accompanying them is Mrs. Mamie Reid James of New York and formerly of Hertford.



HERTFORD HARDWARE AND SUPPLY COMPANY
PHONE 426-5211

SALE

THRU-THE-WALL WITH DECORATOR FRONT PANEL 24,000 BTU
\$389⁹⁵

DELUXE MOBILARIE ROOM AIR CONDITIONER WITH QUICK-MOUNT KIT
10,000 BTU MODEL AM103AIR
\$329⁹⁵

DELUXE COMPACT ROOM AIR CONDITIONER With Quick Mount Kit 6,000 BTU
\$199⁹⁵

COMPACT 5,000 BTU ROOM AIR CONDITIONER FOR CARRY-HOME COOLING
\$179⁹⁵